

WhisperShade™ IQ™ motorized-shade system

The ultra-quiet motorized system features:

- an intelligent encoded motor
- built-in communication
- simplified daisy chain wiring for ease and low cost
- economical, ultra-quiet motors, which are the most powerful available anywhere
- five auto stop positions
- three aligned intermediate stop positions
- custom stop positions as needed
- precision alignment within $\pm 1/16$ in.
- a single motor with a powerful lifting capacity to raise a shade weighing more than 55 lbs. (26kg) on a standard 2½ in. (63.5mm) diameter tube.

Two discrete modes of operation

Normal mode Operation

Shades can stop anywhere and at anytime or at three intermediate stop positions.

Uniform mode Operation

Shades can only stop at three preselected positions in addition to full up and full down. This mode assures the uniformity of all shade positions.

Electrical:

506 Model – 50mm

Input: 120VAC +/-10%, 50/60Hz, 0.9A max.

512 Model – 50mm

Input: 120VAC, +/-10%, 50/60Hz, 1.8A max.

Switch: 10mA max. per switch
contact 15VDC, 0.5W power supply

Mid-window alignment and positioning

Utilizing the WhisperShade™ IQ™ switch, shades can be moved to five default positions of full up, 25%, 50%, 75%, and full down.

Custom stop positions can be easily set by an owner/user at the touch of a button.



Simplified wiring and communication

Motorized shades are plugged directly into low-voltage IQ™ switches.

Multiple WhisperShades™ can be daisy chained onto one control switch.

Master, local, group, and subgroup configurations simplifies and saves money.

Simple “T” connectors facilitate multiple-motor control.

120V power connector plug

WhisperShade™ IQ™ motors

Shadecloth

Local IQ™ switch

Master IQ™ switch

“T” connector

Local IQ™ switch

- Low-voltage dry-contact
- Line voltage (120V)

WhisperShade™ IQ™ motorized-shade system with IQ/485® Network Interface (NI)

Integration with other manufacturers' systems and switches

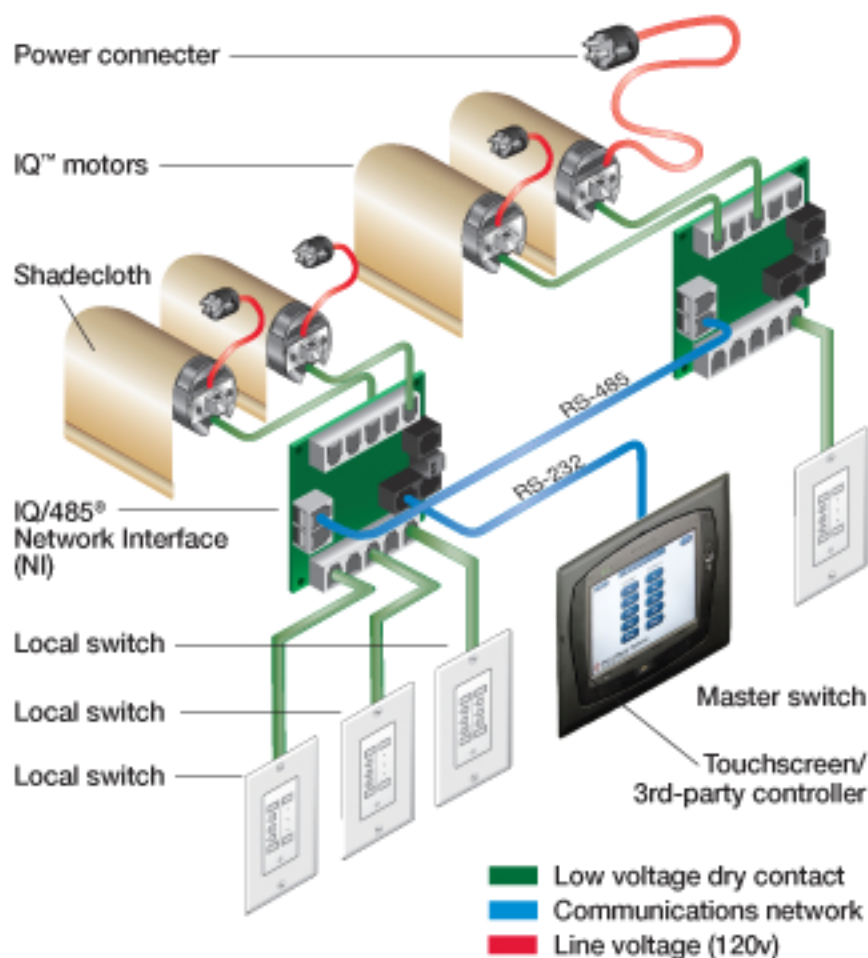
- The system easily integrates with the A/V, lighting, and building-automation systems of numerous major manufacturers, including AMX®, Lutron®, Crestron®, Vantage/Legrand®, and Litetouch®.

- The motors can be directly controlled via dry-contact connections, or others systems can communicate with the motors via an RS-232 or RS-485 communications network, which is supported by MechoShade Systems' IQ/485® Network Interface (NI).

- Each IQ/485® NI can control five WhisperShade™ IQ™ motors or, if operating together, can control groups of motors.

- Relay-based controls are eliminated.

- The ZigBee® PRO-based network is integrated via the MechoRF™ card.



IQ/MLC® Logic built into the motor

